

Polaris RZR Suspension Seats

Install Instructions for Polaris General, RZR S900, XP1000, Trail, Turbo, Turbo S, RS1



A.



B.



Read through all of the instructions completely before beginning the install.

Parts Included:

- 1 x PRP Seats Suspension Seat with Flat Straps Frame
- 2 x Steel Square Support Tube
- 2 x Steel Adapter Brackets
- 4 x 1/4" x 20 x 1" Bolts and Washers
- 2 x Small screws, nuts and washers to attach pull strap
- 1 x Pull strap to release seat

Hardware Included with Stock seat:

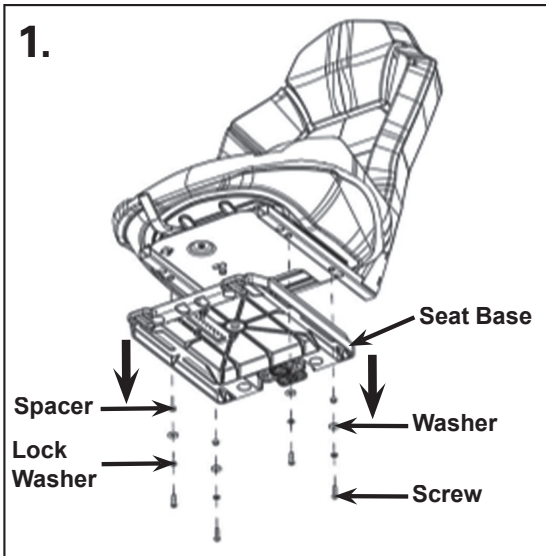
- 8 x Screws
- 4 x Washers
- 4 x Locking washers
- 4 x Spacers

Tools required:

- Phillips Head Screwdriver
- T-27 Torx (Included with vehicle tool kit, magnetic recommended)
- 5/16" Open End Wrench
- 7/16" Socket

Remove all parts from the box and unwrap completely using the packaging to lay out the pieces.

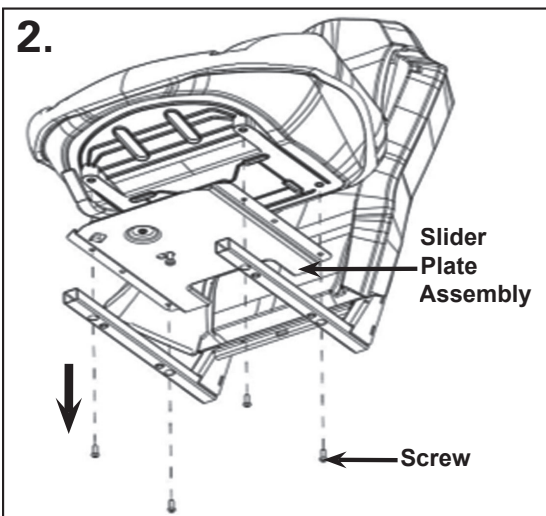
Front Seats with Adjustable Sliders **RZR XP 1000, Turbo, Turbo S, RS1**



1. Remove stock seat base

Using a T-27 torx bit, remove plastic seat base by removing four screws, four spacers and relevant washers.

IMPORTANT: Retain hardware for reinstallation.



2. Remove stock seat slider

Using a T-27 torx bit, remove the seat slider plate assembly from the stock seat by removing the (4) screws. Discard stock seat back and bottom cushion.

IMPORTANT: Retain hardware for reinstallation.



3. Install Adapter Brackets onto PRP Seat

Take the bag off your new PRP Seat, and flip it upside down so that you can see the two flat mounting straps on the bottom.

Open up the C83 Box and remove the mounts, release strap, and hardware.



4. Install Adapter Brackets onto PRP Seat

Take out the Adapter Brackets, and place them on the seat. Line up the brackets going front to rear so that the non-threaded bolt holes line up with the bolt holes on the seat. The bracket ledge with the threaded holes should be facing the outwards.

Use the supplied (4) 1/4" x 20 x 1" Bolts, (4) Flat Washers, and Lock Washers to install the adapter brackets onto the seat frame with a 5/16 Socket.



5. Place the Slider Plate

Take the OEM Slider plate, place it on the adapter brackets, and line up the bolt holes.

IMPORTANT: Make sure that the release handle is facing towards the front of the seat.



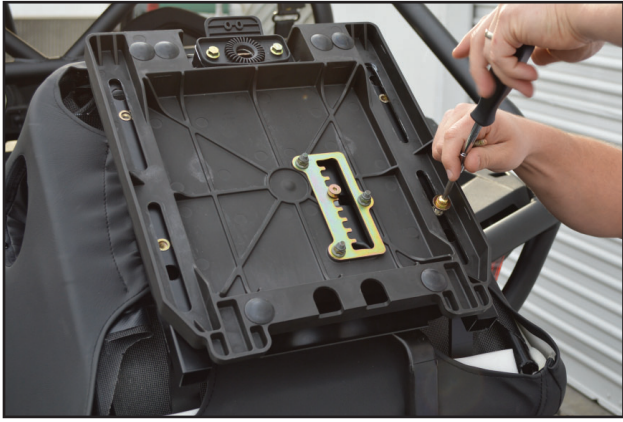
6. Install Seat Slider on PRP Seat

Place the square tubes onto the seat. The long end of the square tube should face the front, and line up the large open holes with the bolt holes on the bracket and slider plates.

Using the hardware removed in step two, secure the slider and the square support tubes provided to the adapter bracket on the seat using a T-27 Torx.

NOTE: A magnetic T-27 driver is recommended.



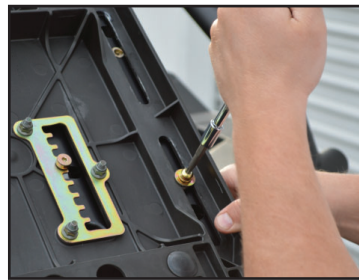


7. Install Seat Base

Position seat base and lock in the slider mechanism. Using ALL the hardware removed in step 1 (Screws, washers, lock washers, spacers), reinstall the stock seat base.

IMPORTANT: You must re-use the spacers. Without the spacers, the seat will not slide properly.

IMPORTANT: Only tighten the bolts by hand. Over-tightening may cause the threads in the square tubes to break loose.



8. Attach pull strap

Using the hardware in a RED BAG, a phillips screwdriver, and a 5/16 wrench, attach the pull strap on the back of the seat to the under side of the latch on the stock seat base.

Once the seat is clicked back in, wrap the top of the pull strap around the harness bar and secure it into the plastic buckle.

This pull strap will allow you to release the seat base easily when you want to remove the seat.





9. Aaaaaand, your done!

Congratulations! Your new PRP Seats is installed and ready to use.

If you have any questions or experience issues, please contact your retail outlet first for help. However, the staff at PRP is always happy to help at **1-800-317-6253**.

Thank you! Ride Safe!